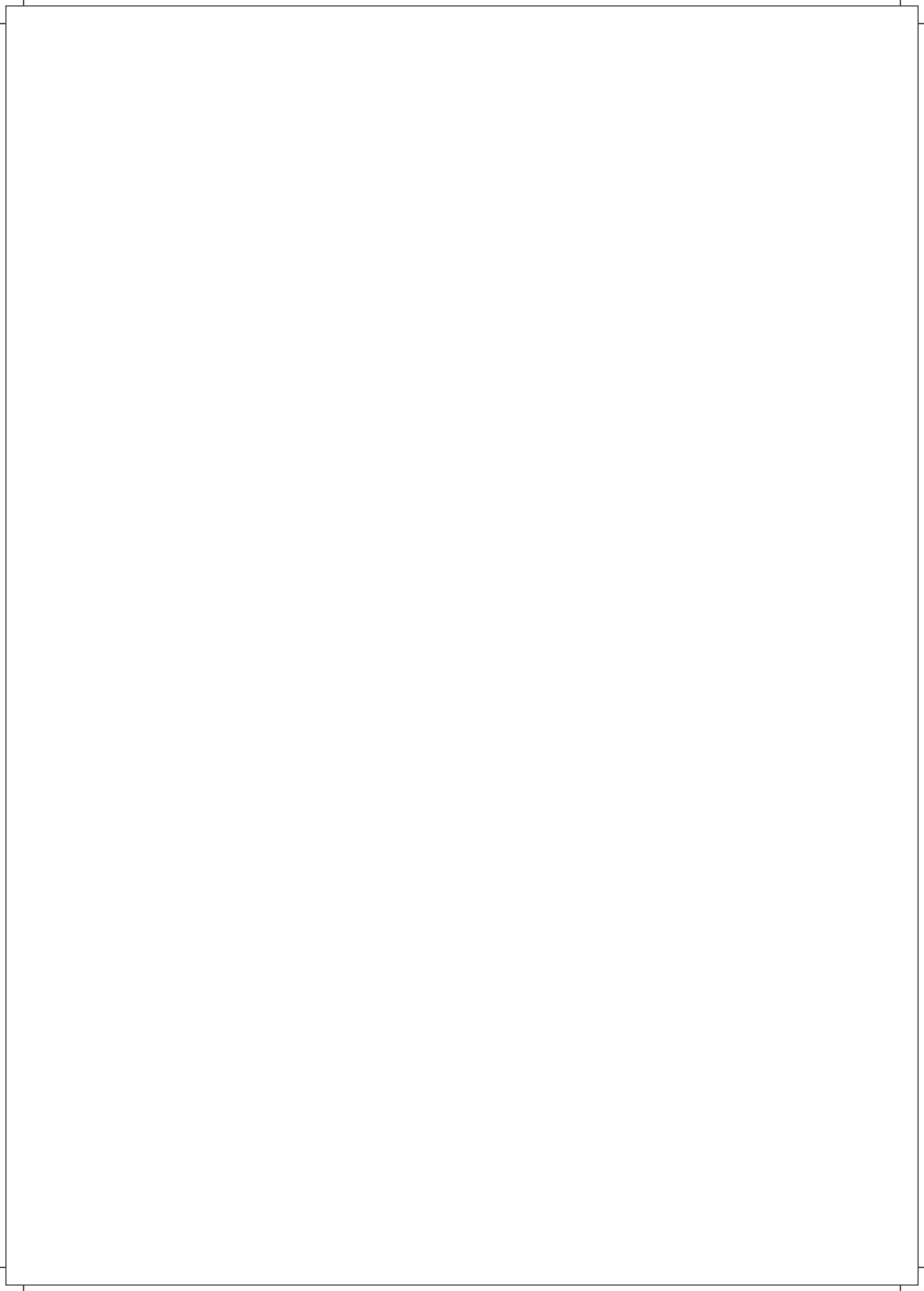




Cx4000B/Cx4000C Beds

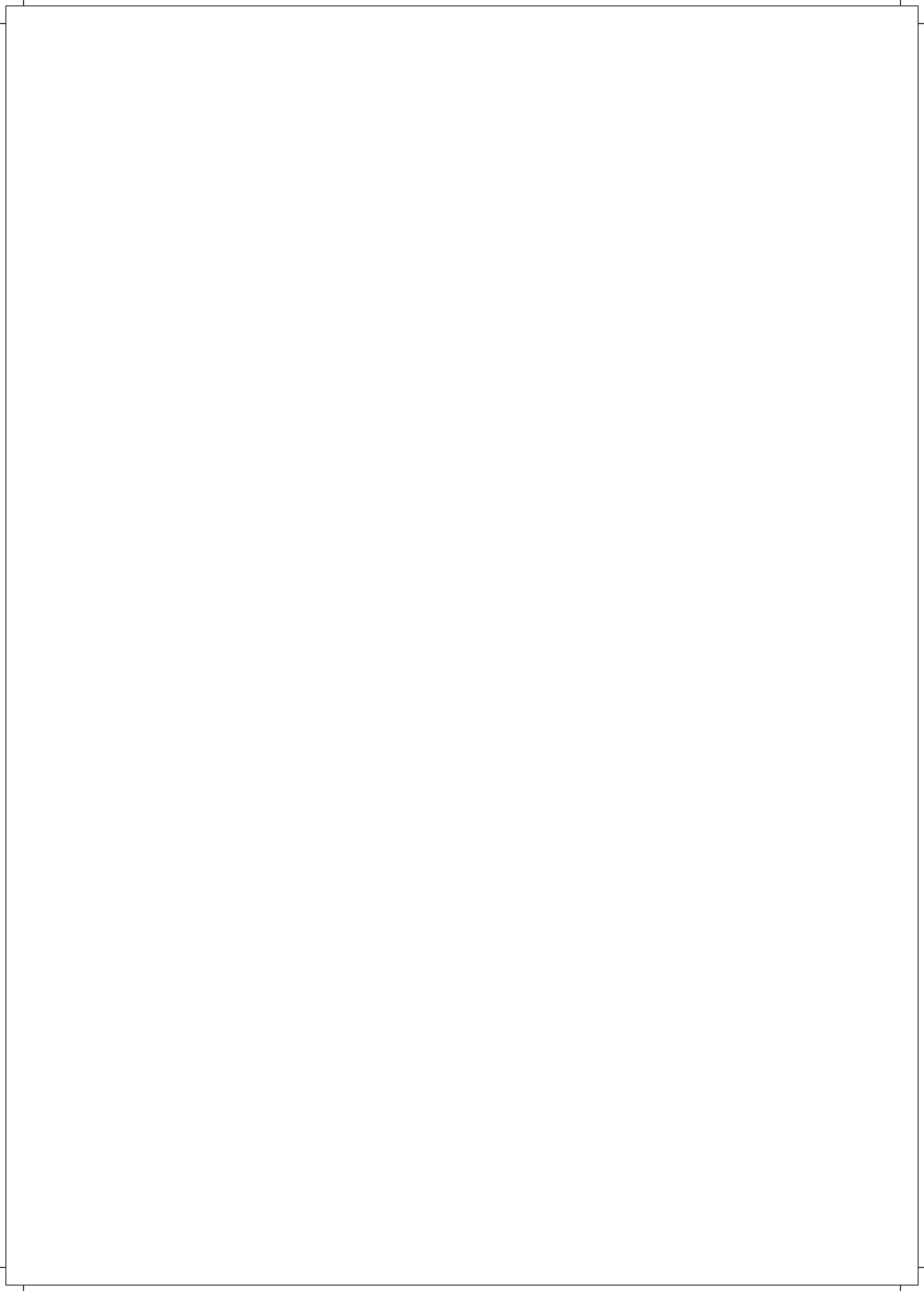
User's Manual



Index



1. Introduction	01
2. About this Product	01
3. Definitions	03
4. Safety	03
5. Environmental Specifications	04
6. Installation	05
7. Optional Accessories	08
8. Operation	12
9. Maintenance & Cleaning	19
10. Warranty & Service	23



INTRODUCTION

About this User Manual

This User Manual contains instructions for the proper and safe use of Cx4000B/Cx4000C Bed Series Beds, and for patient & user safety and comfort, which has to be strictly followed.

This User Manual has to be read and followed by every person using or handling this Bed. In case of any query, kindly contact Janak Healthcare Pvt. Ltd.

ABOUT THIS PRODUCT

- These Cx4000B/Cx4000C Bed are non-invasive medical devices used for resting and treatment of the patients by medical / paramedical / hospital personnel to help and support the patient in diagnosis, prevention, monitoring, treatment or alleviation of the disease.
- These Cx4000B/Cx4000C Bed are patient support and patient rest facility which help medical personnel in carrying out their medical procedures comfortably, minimizing the risks while moving and handling the patient.
- These Cx4000B/Cx4000C Bed are manufactured and supplied in non-sterile condition for use in normal hospital environment.
- These Cx4000B/Cx4000C Bed are manually operated to provide clinical positions with the help of Screw Mechanisms.
- These Cx4000B/Cx4000C Bed are not diagnostic, measuring, monitoring or a therapeutic device or we say that it can prevent or alleviate disease
- These Cx4000B/Cx4000C Bed are also useful for intensive care, critical care in hospitals and nursing homes.

Cx4000B/Cx4000C ICU Bed Features



Please refer Cx4000B, Cx4000C catalogues for salient features of these products.

Technical Data



Please refer Cx4000B, Cx4000C catalogues for Technical Data of these products.

Optional Accessories



Please refer Cx4000B, Cx4000C catalogues for various accessories available and compatible with these products.

Cx 4000B/Cx4000C Bed Variants

In this Bed Series there are four Screw Mechanisms used to attain the clinical positions of Backrest, Upper Leg, Height & Trendelenburg / Reverse Trendelenburg. This bed is available with removable Head & Foot boards and 125 mm high grade synthetic castors (with two diagonally positioned brakes).

Cx4000B variant is available with M.S. top



Cx4000C variant is available with M.S. top



DEFINITIONS

Operator

Operator is the person appointed by the owner (i.e. clinic, hospital management, etc.) who will be responsible for the safe operation of this Bed.

User

User is a person who is capable of assessing clinical condition of patient e.g. specialist medical personnel, doctors, nursing staff, attendants etc. On the basis of their training experience or through the instructions, they are entitled to operate the Bed on their own responsibility or to carry out work on it and are able to recognize and control possible risks to the patient as well as the Bed.

Patient

The patient is a person who is ill, infirm, disabled or in need of care & occupying this Bed. Each time the Bed is allotted to a new patient it is recommended that the patient is instructed by the operator or the user about the functions important for his/her comfort and safety.

SAFETY

In this User Manual the following safety symbols are used



Danger: This symbol will appear wherever safety instructions are designed to protect people from physical harm. The symbol stands for imminent danger of death or serious injury.



Caution: This symbol will appear where situations are described, which might be dangerous, and which might inflict slight injuries.



Advice: This symbol will appear in front of additional helpful pieces of advice.

- A dot in front of the text implies the action that is required to be taken.

Safety Instructions

- Always use original accessories that have been designed and approved for use with the Bed.
- Ensure that the Bed is assembled and installed in accordance with the instructions given in this User Manual.
- Restrict child visitors without proper attendants. Supervision is necessary to avoid any mishap due to unintended movement of the Bed.
- Persons with reduced physical or mental abilities & children must not be allowed to use & handle the Bed without proper supervision.
- Do not allow any visitor to sit on the Bed, as it may cause overloading. (Refer section – Operation)
- Accessories or any devices used along with the Bed should be as per its intended use specified and approved by Janak Healthcare Pvt. Ltd.
- The Bed should always be kept and used in normal indoor hospital environment.
- Do not keep any articles below the bed main frame. It can damage the Linkages and Screw Mechanisms.
- Ensure that the bed is moved on a smooth stepless floor without any obstructions in its path, to prevent any damage to the undercarriage of the bed.
- Keep some gap between walls and Bed while in stationary position and also while moving from one place to another.
- Keep the User Manual handy with the Operator/User for ready reference.



Always use a mattress of the correct size and type with this bed. Before operating the Bed, make sure the patient is safely positioned on the mattress to avoid any inadvertent entrapment or imbalance.



Use of water mattress is prohibited on this bed.

ENVIRONMENTAL SPECIFICATIONS

Usage, Storage and Transport

Temperature	-10°C to 50°C
Relative Humidity	0% to 95% non condensing
Atmospheric Pressure	800 to 1060 hPa
Altitude	< 2000m

INSTALLATION

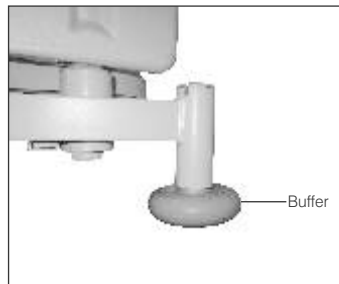
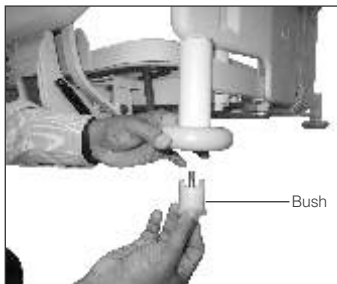
1. Unpack all the components carefully.
2. If the packing is drenched by rain, water or other liquids, inform this matter to the operator.
3. Each Bed is supplied with the following components as per packing list :

Bed fitted with castors and Screw Mechanism	- 1 No.
Rubber Buffer with bush	- 4 Nos.
Removable Head & Foot Board (Product specific)	- 2 Nos.
Safety Side Railings - Product Specific	- 1 Set
Polymer Moulded Handle	- 1 No.
Miscellaneous Items	- 1 Packet
4. Notify if any damage has occurred during transportation either to the authorized agent or directly to Janak Health Care Pvt. Ltd.



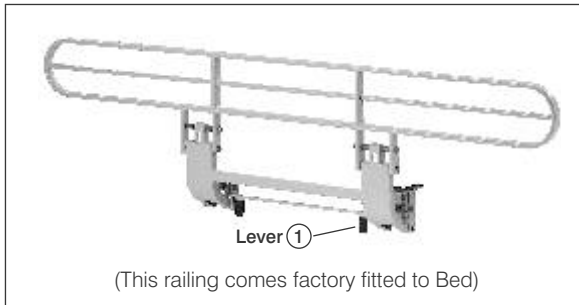
Installation of the Bed should be done only by Janak trained technicians.

Rubber Buffers

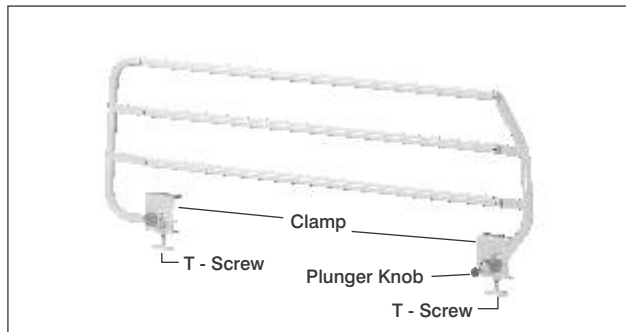


- Fix the rubber buffer in the buffer holder with bush and bolt at all 4 corners

1. 0354 (For Cx4000B , Cx4000C) Full length Swing Down Type Safety Side Railings

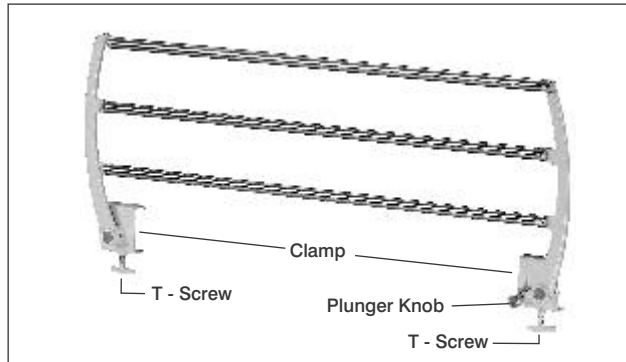


2. 0356A (For Cx4000B , Cx4000C) – M.S. Collapsible Safety Side Railings



- Loosen the two T-Screws provided below the clamp.
- Fix the Safety Side Railings to the sides of the Bed frame and tighten both the T-Screws.
- By holding the Safety Side Railing with both the hands, pull out the Plunger Knob and push the Safety Side Railing inside.
- Press the S.S. Rod with both the hands and lower the Safety Side Railings for few cycles to check smooth operation of the Safety Side Railings.

3. 0358 (ForCx4000B , Cx4000C) – Collapsible Safety Side Railings with S.S. Tubes



- Loosen the two T-Screws provided below the clamp.
- Fix the Safety Side Railings to the sides of the Bed frame and tighten both the T-Screws.
- By holding the Safety Side Railing with both the hands, pull out the Plunger Knob and push the Safety Side Railing inside.
- Press the S.S. Rod with both the hands and lower the Safety Side Railings for few cycles to check smooth operation of the Safety Side Railings.

Head & Foot Boards



- Fix Head and Foot Board by extending equal forces with both the hands in the bracket.

OPTIONAL ACCESSORIES

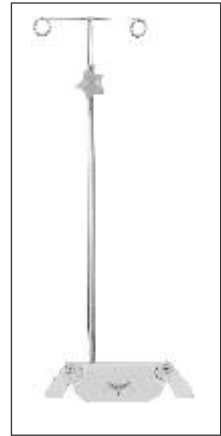
I.V. Poles (Product Specific)



Heavy Duty I.V. Pole



Utility I.V. Pole



Telescopic I.V. Pole

These are used to hang I.V. bags for infusion of liquid substances directly into the vein of patient occupying the bed.



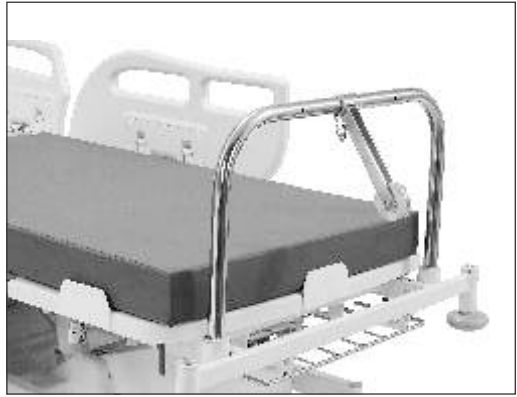
Do not exceed the load capacity of 20 kgs max. (Equally distributed on all hooks) per I.V. pole, as damage to I.V. Pole due to overloading may result in personal injury or equipment damage.

S.S. Lifting Pole (0553)



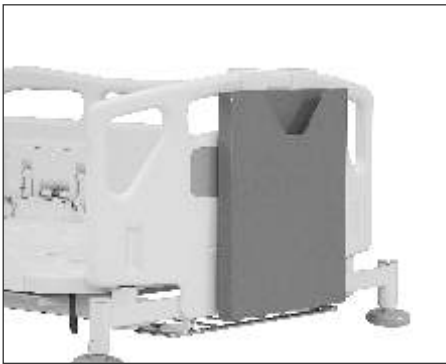
S.S. Lifting Pole helps the patient lying on the Bed to lift themselves up on their own, by holding the hand grip.

Orthopaedic Traction Pulley (0187/0187A)



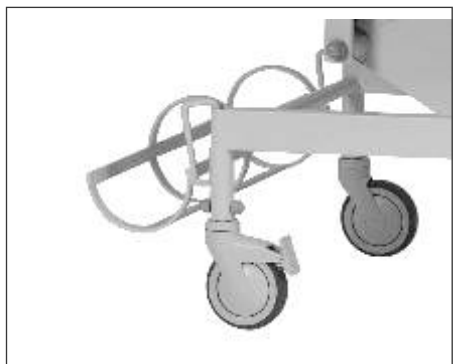
Orthopedic Traction Pulley is used in treatment of orthopedic conditions like Prolapsed Lumbar Intervertebral Disc (Slipped Disc)

Moulded Chart Holder (0158A)



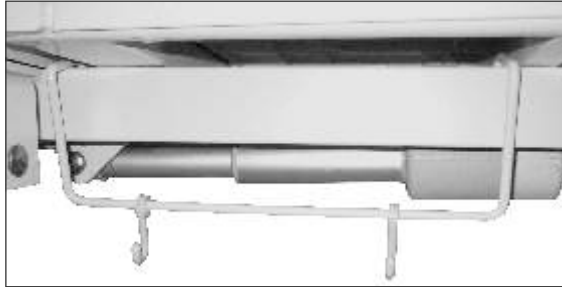
Molded Chart Holder is normally hung on the Foot Board (outer side), and facilitates placing of patient related documents.

Oxygen Cylinder Cage (0166)



Oxygen Cylinder Cage is placed on the Base Frame of the Bed, and used to hold the oxygen cylinder.

Urine Bag Holder (0156)



Urine Bag Holder is used to hold the urine bag and is hung on any one side of the Bed Frame.

Mattress (Product Specific – Any one type as per order)



Mattress is used for patient comfort.



Janak Healthcare Pvt. Ltd. recommends the use of original Mattresses that have been designed & Tested specifically for the Cx4000B/Cx4000C Beds.



Ensure Mattress of correct size and firmness, to eliminate gaps causing entrapment risk, prevent accidental roll-over events in case of low height of railing, and safe patient transfers in & out of the bed



Mattress impermeability could be affected by needle sticks. Users should be instructed to avoid punctures caused by improper use of needle sticks. Failure to do so could result in cross – infection & patient injury. The mattress should be regularly inspected for punctures, rips, tears or other such damage & replaced with suitable original mattress if required



Smoking should be prohibited near the mattress with / without patient, as this is a fire hazards, and mattress, sheets & pillows generally do not have flame retardant properties.



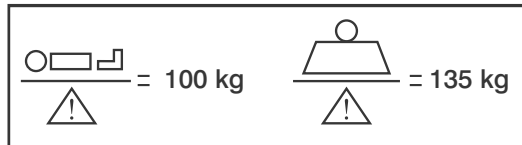
Use the Bed accessories in accordance with the manufacturer's instructions for patient safety and comfort. Use recommended spares and accessories of suitable design manufactured by Janak Healthcare Pvt. Ltd. to eliminate hazards.



Ensure that the accessories are properly secured and not overloaded to avoid any personal injury or equipment damage.

OPERATION

- Before putting the Bed into use for the first time ensure that all the transport securing devices and packing film are removed.
- Clean and disinfect the Bed prior to the first time use.
- The Bed should be used on a flat floor.
- The force required to move the Bed from one place to another with / without patient, may vary depending on the flooring conditions.
- Check if all the operations are functioning properly.
- This Bed should be operated only by an authorized and trained person who has knowledge of its operation.



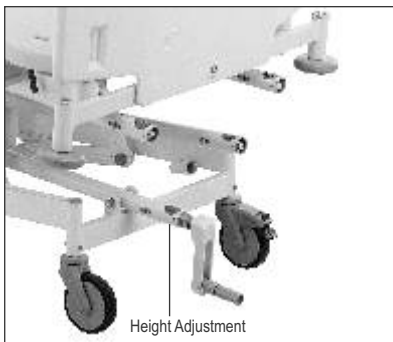
Do not load the Bed more than the Safe Working Load as mentioned above.

Castors & Braking Mechanism



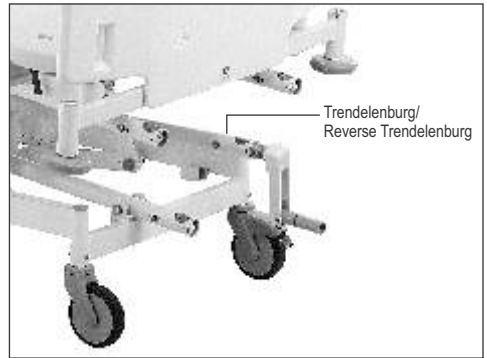
The Cx4000B/Cx4000C Bed is equipped with four 125 mm High Grade Synthetic Castors; two diagonally opposite castors are with brakes. To lock the Castors press the latch, and to unlock release the latch.

Adjusting Height - Product Specific



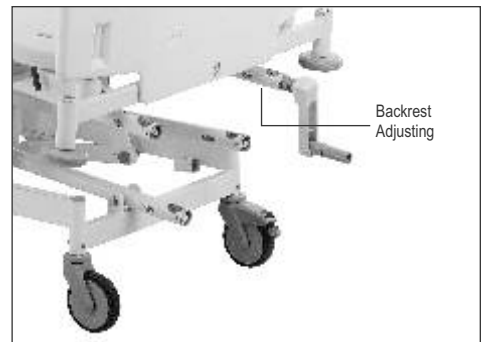
To adjust the Height, first insert the handle on the respective crank mechanism and turn the handle anti-clockwise or clockwise to raise or lower the height respectively. Remove the handle and keep it safely under the mattress.

Adjusting the Trendelenburg / Reverse Trendelenburg Tilt - Product Specific



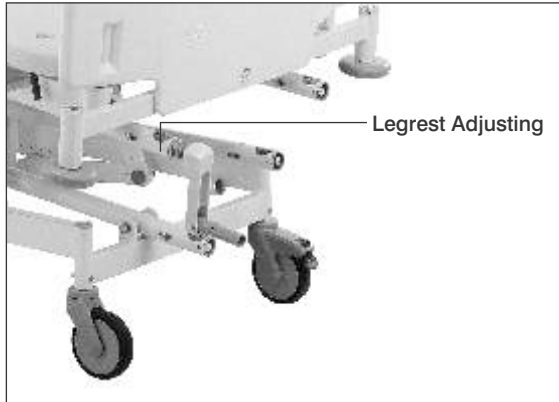
To adjust the Trendelenburg position or Reverse Trendelenburg position first hold the main frame firmly with one hand and insert the handle into the respective crank mechanism as shown in the figure above. Raise or lower the frame by rotating the handle to the desired tilt position. Remove the handle and keep it safely under the mattress.

Adjusting Backrest



To adjust the Backrest, first insert the handle on the respective crank mechanism and turn the handle anti-clockwise or clockwise to raise the Backrest respectively. Remove the handle and keep it safely under the mattress.

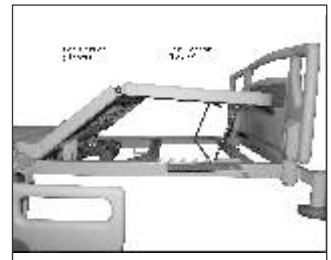
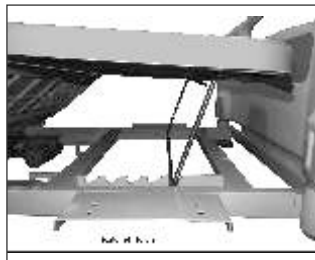
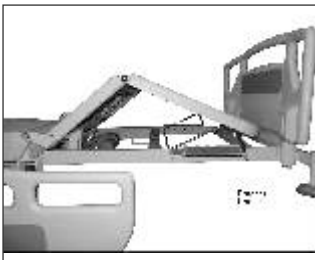
Adjusting the Legrest Section - Product Specific



To adjust the legrest section, first insert the handle on the respective crank mechanism and turn the handle anti-clockwise to lower or clockwise to raise the leg rest section respectively. Remove the handle and keep it safely under the mattress.

To attain the Calf Elevation position, the Lower Leg Section can be adjusted manually.

Lower Leg Section - Product Specific



Lower Leg Section gets raised simultaneously when raising the Upper Leg Section through electrical control. To attain the Calf Elevation position, the Lower Leg Section can be adjusted manually.

To Raise Leg Section (Lower part) Manually –

- Firmly hold and lift the Leg Section (Lower part) with one hand.
- With the other hand hold the Ratchet Handle to the required inclination.
- Place the Ratchet Handle in the desired Ratchet Notch to lock the position.
- Make the patient comfortable by readjusting his position on the Bed.

To Lower Leg Section (Lower part) Manually –

- Firmly hold the Leg Section (Lower part) with one hand.
- Pull out the ratchet handle from the Ratchet Notch to unlock the position.
- Carefully place the Leg Section (Lower Part) on the Main frame.



- Always observe the correct adjustment sequence.
- Care should be taken to avoid fingers and hand getting entrapped between the Ratchet and the top frame.

Head & Foot Boards (Removable Type):

Head Boards:



(0181-Conventional Bow)



(0183-Polymer Moulded Bow)

- The head board is located at the head end of the bed frame.
- The head board can be removed or attached in a single step by extending equal force with both the hands in the bracket by ensuring the proper matching of the brackets with board holder fitted on the main frame.
- The head board can be removed for the ease of access to the patient from head side.

Foot Boards:

- The foot board is located at the foot end of the bed frame.
- The foot board protects the patients during transport and room docking.
- The Foot board can be removed or attached in a single step by extending the equal force with both the hands in the bracket by ensuring the proper matching of the brackets with board holder fitted on the main frame.



Do not hang any heavy items on the Head & Foot Board.



Pushing / Pulling the Bed from the Head & Foot Boards may cause play in the Head / Foot Board mounting brackets in the long run.

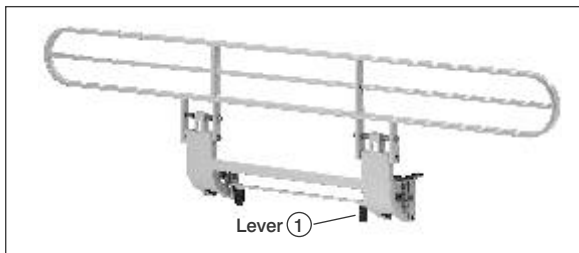


To facilitate easy movement of Overbed Table over the Bed -

- The Conventional and S.S. Laminated Bows at Foot End are designed with low height.
- The Polymer Moulded Bow at Foot End has to be removed.

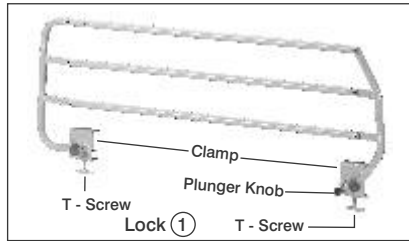
Safety Side Rail Options

Swing Down Type Safety Side Rails



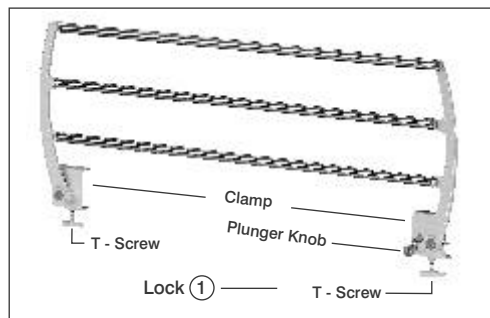
1. To lock the Railing, pull the Railing upwards by extending equal force with both the hands. On pulling the Railing completely upwards the Lever (1) will lock the Railing.
2. To unlock the Railing, pull the Lever (1) with one hand & hold the Railing with the other hand. On releasing the Lever, place the Railing downward.

Collapsible Type Safety Side Rails



1. To lock the Railing, pull up the Railing with the hand till the Plunger lock (1) will place on the locking slot.
2. To unlock the Railing, Pull out the Plunger lock (1) with one hand & hold the Railing with the other hand. Place the Railing downward completely till it rests on the bed.

Collapsible Type Safety Side Rails (with S.S. Tubes)






1. To lock the Railing, pull up the Railing with the hand till the Plunger lock (1) will place on the locking slot.
2. To unlock the Railing, Pull out the Plunger lock (1) with one hand & hold the Railing with the other hand. Place the Railing downward completely till it rests on the bed.

- Safety side rails should be fitted and properly secured by a trained technician.



- Always use the Safety Rails with the mattress of the correct size, which is approved for use with this bed for the safety of the patient.
- Do not use the safety side rails to move or lift the bed.

-  Although the safety side railings have been designed to reduce the risk of patient injury, the potential exists for patient entrapment, particularly in agitated or disoriented patients, patients who have cognitive disability or have uncontrolled body movement as well as patients who lack the physical strength to extract themselves if they get entrapped.
-  Users should carefully evaluate the need for safety side rails and periodically check patients in accordance with facility protocols for safe positioning.
The Safety Side Railings should always be in raised position when attaining lowest height position or when attaining Trendelenburg / Reverse Trendelenburg tilt positions
-  If these safety measures are not observed, injuries can be caused to hands, knees, fingers, feet, legs or other body parts of patient due to unintended and unintentional entrapment. In children or weak patients who are less than 146 cms tall, non observance of these guidelines may even lead to death.

MAINTENANCE & CLEANING

Maintenance

Each time before putting the Bed into service the user must check that -

- All the functions are in satisfactory working condition before the Bed is allotted to the next patient.
- Lubrication of all the mechanical joints / pins / moving parts / tightening of the bolts should be carried out at least once in three months, to avoid unnecessary sound and wear & tear of the Bed.
- At regular intervals carry out a visual inspection and check for any mechanical damage (e.g. loose /missing rivets, screws, etc.)
- If any damage or malfunction is observed, immediately report this matter to the operator.
- If the Bed is not in use, it should be stored in a dry and rodent free indoor environment on a flat surface with gradient not more than 5 degrees.
- If the Bed is not in use for long term, it is necessary to conduct a test to check for functioning and any mechanical damage that may have been caused.
- Depending on the usage, certain moving parts may require replacement due to wear & tear. We recommend timely replacement with original spares for safety and trouble free operation.

Cleaning & Disinfecting

- The Bed is not suitable for machine wash or steam cleaning.
- Do not use water jet for cleaning.
- The Bed cannot tolerate the influence of strong solvent, basic or alkaline liquids & caustic agents.
- The cleaning agents must not contain any substances which bring about any change in the structure or adhesive property of the plastic.
- The Bed should be properly cleaned and disinfected to avoid infection and stains before allotment to a new patient.
- Immobilize the Bed & remove all the detachable accessories and components before cleaning. Any prolonged contact of urine or acid on mild steel can corrode the surface. Keep the surface dry at all times.
- Wearing suitable protective clothing, clean the surface with a disposable cloth soaked in a neutral detergent and hot water. We recommend use of approved disinfectant and cleaning agents to clean the Bed. e.g. Bacillocid or other similar agents.
- Start by cleaning the upper sections of the Bed & work along all horizontal surfaces. Work methodically towards the lower sections of the Bed. Take extra care to clean areas that may trap dust or dirt. All detachable accessories and its component can be cleaned separately.



Do not expose the Bed to excessive moisture as corrosion may cause personal injury or equipment damage.

Disposal:



Product and its defective parts especially elements made of plastic, steel and rubber material should be disposed off in accordance with the statutory rules and regulations prevailing for such disposal. The user is advised to contact Janak Healthcare Pvt. Ltd. for further assistance.



Routine Inspection Check List: Inspection By The User

(Recommended Frequency: Every new allotment but not later than one month)

Checks	Observation	OK	Not OK	Description of faults
Visual check of the mechanical components				
Main Frame	Damage, Deformation			
I.V. Rod with Clamp (Optional)	Damage, Bent			
Mattress	Damage			
Screws and Rivets	Loosened, Missing			
Performance check of all mechanical components				
Screw Mechanism	Smooth movement			
Detachable Head & Foot Boards	Secure retention			
Castors	Locking, Release(mobilization)			
Safety Side Railings	Locking / Un-locking, Secure fastening			
Legrest	Engagement			
Accessories	Fastening, Damage, Missing			
Sign	Result of inspection		Date	

Trouble Shooting Guide

Problem	Possible Causes	Remedy
Castors not working	<ul style="list-style-type: none"> • Castors are damaged 	<ul style="list-style-type: none"> • Replace the Castors
	<ul style="list-style-type: none"> • Castors are not locking 	<ul style="list-style-type: none"> • Check the Locking Lever for any damage & replace the Castor.
Abnormal sound / vibrations during any operation	<ul style="list-style-type: none"> • Linkages are tight 	<ul style="list-style-type: none"> • Lubricate the Linkages from its joints.
	<ul style="list-style-type: none"> • Nut / Bolts are loosened 	<ul style="list-style-type: none"> • Tighten the bolts.
Railing not locking in raised position	<ul style="list-style-type: none"> • (0360) Gas Spring is not working due to Oil leakage. 	<ul style="list-style-type: none"> • Check & replace the Gas Spring
	<ul style="list-style-type: none"> • (0354B) check the locking lever and the locking spring tension. 	<ul style="list-style-type: none"> • Replace the lever / spring
	<ul style="list-style-type: none"> • (0356B) Check plunger knob and hole alignment, plunger knob broken, plunger knob spring defective 	<ul style="list-style-type: none"> • Replace, plunger knob/spring
Screw Mechanism not working	<ul style="list-style-type: none"> • Mechanism is jam, very tight to rotate 	<ul style="list-style-type: none"> • Check & do little oiling or greasing
	<ul style="list-style-type: none"> • Mechanism is bent or broken 	<ul style="list-style-type: none"> • Replace the screw mechanism



WARRANTY & SERVICE

Janak Healthcare Pvt. Ltd. warrants, solely to the end users of this product that for a period specified in the warranty certificate, such product shall perform as per its intended use. The foregoing warranties shall not apply if the Product has been subjected to: (a) physical abuse, misuse, abnormal use, or use not consistent with Janak Healthcare Pvt. Ltd.'s published directions, (b) any modification by anyone other than Janak Healthcare Pvt. Ltd. or third parties designated by Janak Healthcare Pvt. Ltd.; or (c) fraud, tampering, negligence or accidents, depending upon the nature of the products.

Limitation Of Liability: In no event shall Janak Healthcare Pvt. Ltd. be liable or obligated to the end user in any manner for any special, non-compensatory, consequential, indirect, incidental, statutory or punitive damages of any kind, including, without limitation, for injury or loss of life, lost profits, lost sales, lost revenue, loss of any software or data, or loss of use of any hardware, software or data, regardless of the form of action, whether in contract, tort, negligence, strict product liability, or otherwise, even if Janak Healthcare Pvt. Ltd. has been informed of or is aware of the possibility of any such damages in advance. Janak Healthcare Pvt. Ltd.'s total aggregate liability under this agreement and in relation to anything which Janak Healthcare Pvt. Ltd. has done or not done in connection with this agreement shall be limited to the price of the products purchased and paid for by the end user during the period in which such liability arises. The limitations set forth above shall be deemed to apply to the maximum extent permitted by applicable law and notwithstanding the failure of the essential purpose of any limited remedies.

In order to maintain functional safety and right to claim under the warranty only original replacement parts may be used. For ordering replacement parts, customer service request and further question, please contact our technical support department.

DISCLAIMER

"Every effort has been made to ensure that the information in this user manual is valid. Janak Healthcare Pvt. Ltd., reserves the right to change the information in this document without prior notice."

MANUFACTURER'S ADDRESS

Corporate Office:

Janak Healthcare Pvt Ltd

Unit No. 12, 1st Floor, Kalpataru Point, Opp. Cinemax Theatre, Sion Circle, Sion (E), Mumbai 400022.

Tel: +91 22 4915 3000 | Fax: +91 22 4915 3100

www.janakhealthcare.com

Registered Office:

Janak Healthcare Pvt Ltd

Janak House, Opp. Indian Oil Corp. Depot, Sheikh Misry Road, Wadala (E), Mumbai 400037.

Tel: +91 22 2412 0171/2413 0407 | Fax: +91 22 2413 9870

Toll Free No.: 1800 22 8020, Email: technicalsupport@janakhealthcare.com

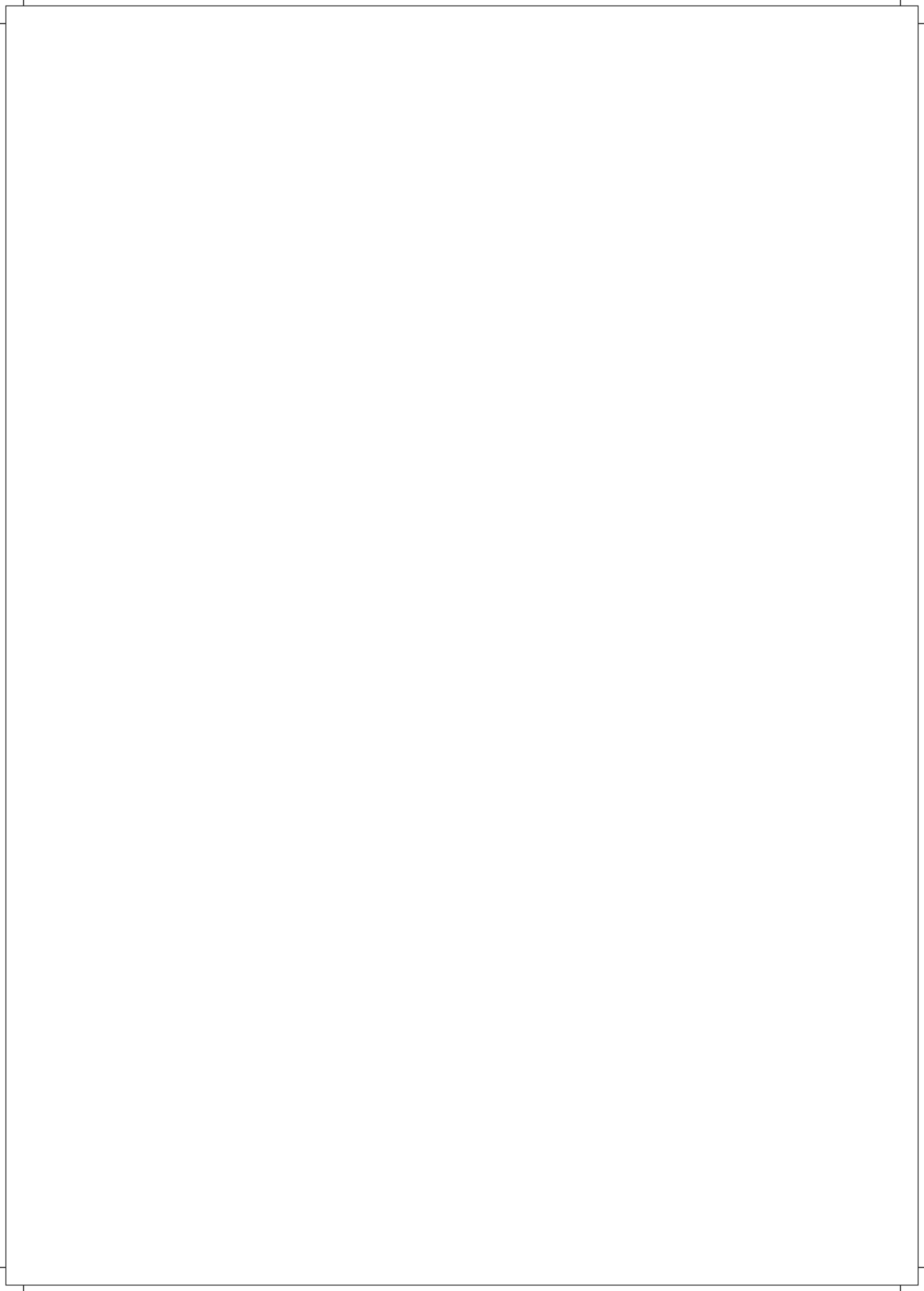




JANAK
HEALTHCARE

Notes

Notes





JANAK
HEALTHCARE

JANAK HEALTHCARE PVT LTD.

Unit No. 12, 1st Floor, Kalpataru Point, Opp. Cinemax Theatre, Sion Circle, Sion (E),
Mumbai 400022. Tel: +91 22 4915 3000 | Fax: +91 22 4915 3100
www.janakhealthcare.com