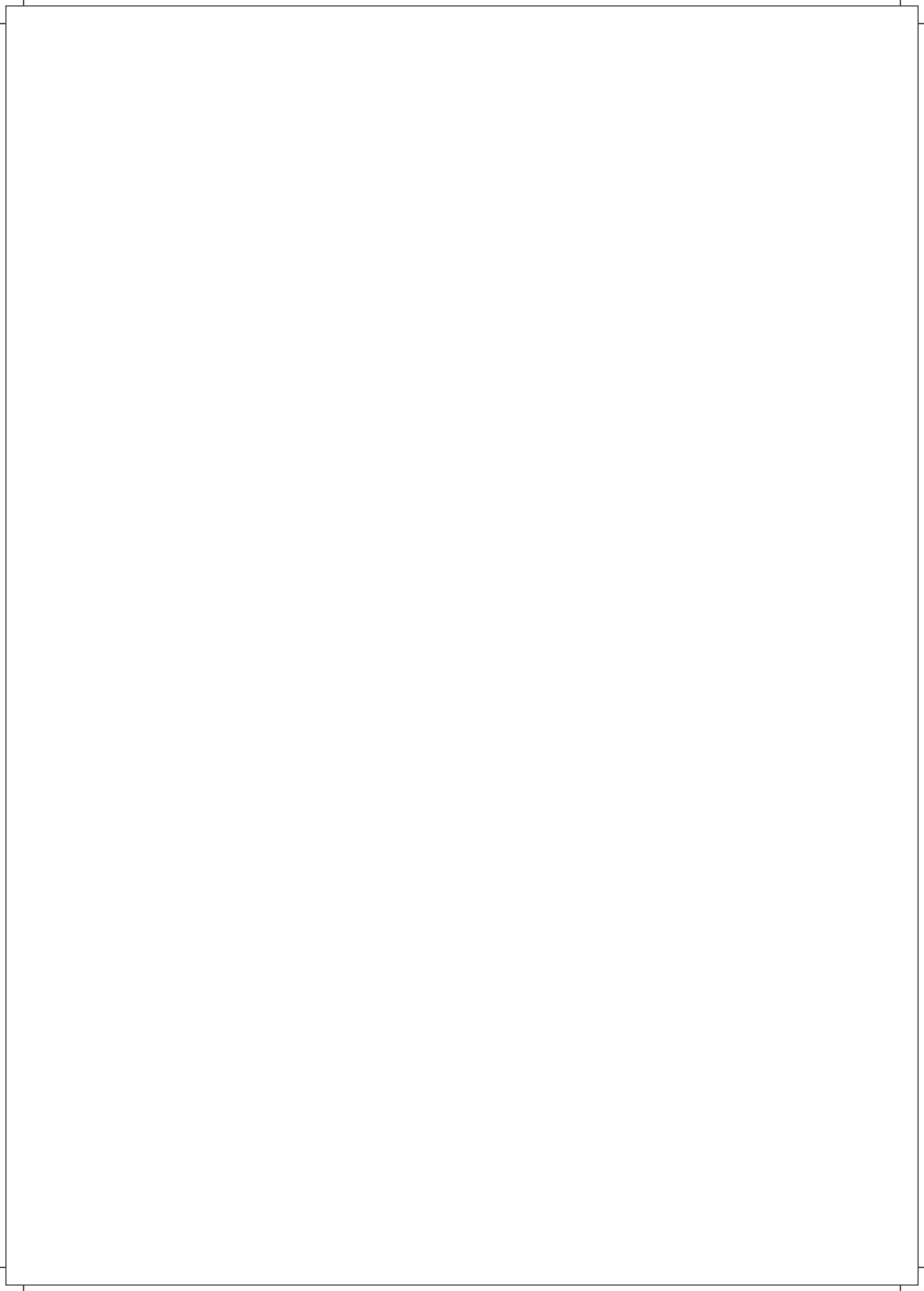




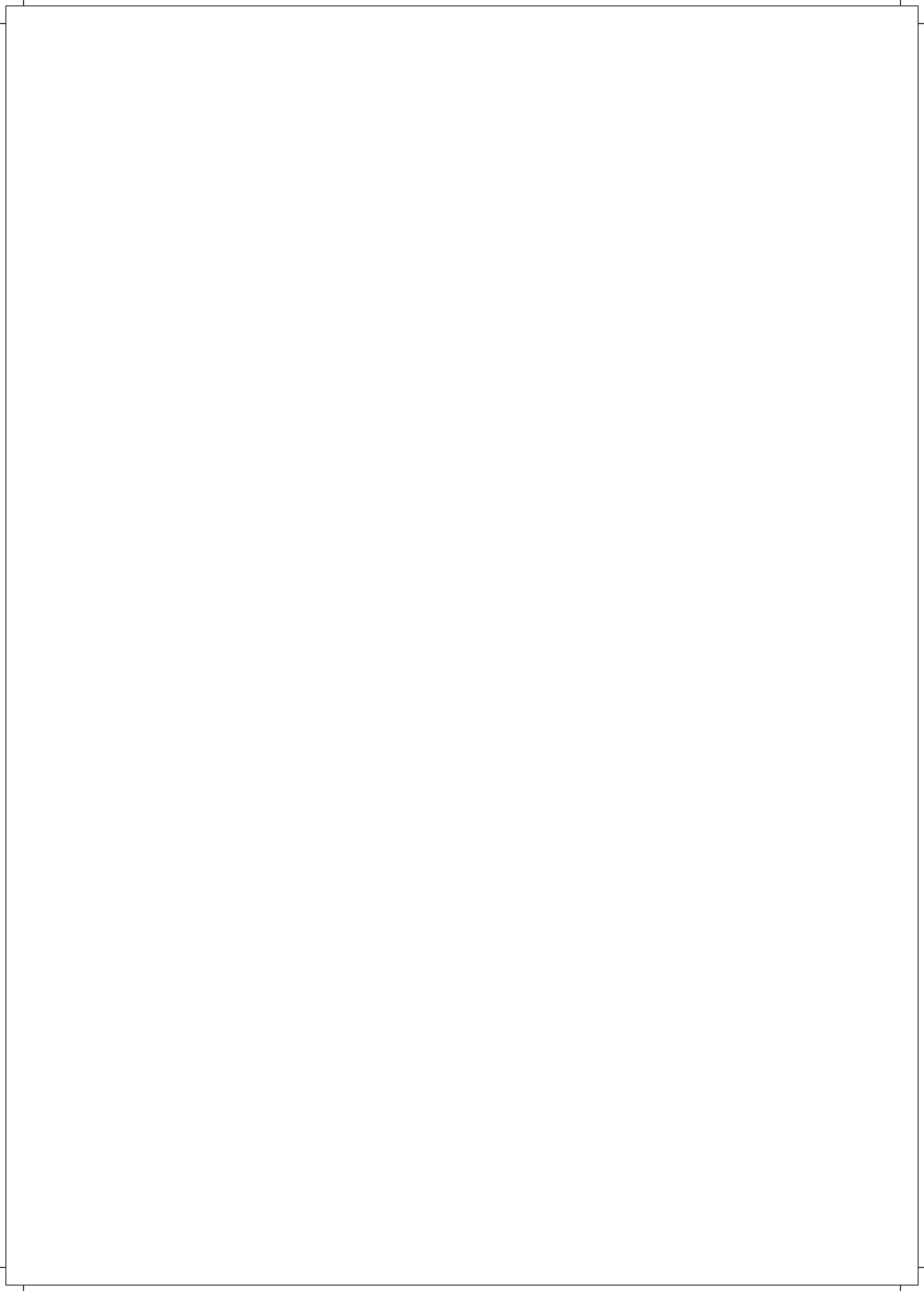
1505 – Birthing Bed
User's Manual



Index



1. Introduction	1
2. About this Product	1
3. Definitions	3
4. Safety	3
5. Environmental Specifications	5
6. Installation	6
7. Optional Accessories	
8. Operation	13
9. Maintenance & Cleaning	13
10. Warranty & Service	21



INTRODUCTION

About this User Manual

This User Manual contains instructions for the proper and safe use of Manually operated Birthing Bed, and for patient & user safety and comfort, which has to be strictly followed.

This User Manual has to be read and followed by every person using or handling this Bed. In case of any query, kindly contact Janak Healthcare Pvt. Ltd.

ABOUT THIS PRODUCT

- These Manual Birthing Beds are non-invasive medical devices having multipurpose use for obstetrics, gynaec examination and post delivery recuperation (if used as a Bed) of the patient by medical / paramedical / hospital personnel to help and support the patient in diagnosis, prevention, monitoring, treatment or alleviation of the disease. For Obstetrics there is telescopic leg section which slides underneath the top frame. This helps the patient to attain the lithotomic position and easy access for the obstetrician to take delivery near the pelvic region.
- These Birthing Beds are patient support and patient rest facility which help medical personnel in carrying out their medical procedures comfortably, minimizing the risks while moving and handling the patient.
- These Birthing Beds are manufactured and supplied in non-sterile condition for use in normal hospital environment.
- These Birthing Beds are mechanically operated for certain profiling movements to achieve clinical positions with the help of screw mechanism.
- These Birthing Beds are not diagnostic, measuring, monitoring or a therapeutic device or we say that it can prevent or alleviate disease
- These Birthing Beds are also useful for intensive care, critical care in hospitals and nursing homes.

Manual Birthing Bed Features



Please refer 1505 catalogue for salient features of this product.

Technical Data



Please refer 1505 catalogue for Technical Data of this product.

Optional Accessories



Please refer 1505 catalogue for various accessories available and compatible with this product.

1505 – Manual Birthing Bed

In this Manual Birthing Bed there are TWO screw mechanisms used to attain the clinical positions of Backrest, and Trendelenburg & Reverse Trendelenburg Tilt. The Height Adjustment is achieved through a hydraulic pump and pump pedal.

This Manual Birthing Bed is available with, Safety Side Railings and 125 mm high grade synthetic castors and handle for operating screw mechanism.

DEFINITIONS

Operator

Operator is the person appointed by the owner (i.e. clinic, hospital management, etc.) who will be responsible for the safe operation of this Manual Birthing Bed.

User

User is a person who is capable of assessing clinical condition of patient e.g. specialist medical personnel, doctors, nursing staff, attendants etc. On the basis of their training experience or through the instructions, they are entitled to operate the Manual Birthing Bed on their own responsibility or to carry out work on it and are able to recognize and control possible risks to the patient as well as the Manual Birthing Bed.

Patient

The patient is a person who is ill, infirm, disabled or in need of care & occupying this Manual Birthing Bed. Each time the Manual Birthing Bed is allotted to a new patient it is recommended that the patient is instructed by the operator or the user about the functions important for his/her comfort and safety.

SAFETY

In this User Manual the following safety symbols are used



Danger: This symbol will appear wherever safety instructions are designed to protect people from physical harm. The symbol stands for imminent danger of death or serious injury.



Caution: This symbol will appear where situations are described, which might be dangerous, and which might inflict slight injuries.



Advice: This symbol will appear in front of additional helpful pieces of advice.

- A dot in front of the text implies the action that is required to be taken.

Safety Instructions

- Always use original accessories that have been designed and approved for use with the Manual Birthing Bed.
- Ensure that the Bed is assembled and installed in accordance with the instructions given in this User Manual.
- Restrict child visitors without proper attendants. Supervision is necessary to avoid any mishap due to unintended movement of the Manual Birthing Bed.
- Persons with reduced physical or mental abilities & children must not be allowed to use & handle the Manual Birthing Bed without proper supervision.
- Do not allow any visitor to sit on the Manual Birthing Bed, as it may cause overloading. (Refer section – Operation)
- Accessories or any devices used along with the Manual Birthing Bed should be as per its intended use specified and approved by Janak Healthcare Pvt. Ltd.
- The Manual Birthing Bed should always be kept and used in normal indoor hospital environment.
- Do not keep any articles below the bed main frame. It can damage the Linkages and Screw mechanisms.
- Ensure that the Manual Birthing Bed is moved on a smooth stepless floor without any obstructions in its path, to prevent any damage to the undercarriage of the bed.
- Keep some gap between walls and Manual Birthing Bed while in stationary position and also while moving from one place to another.
- Keep the User Manual handy with the Operator/User for ready reference.



Always use a mattress of the correct size and type with this bed. Before operating the Bed, make sure the patient is safely positioned on the mattress to avoid any inadvertent entrapment or imbalance.



Janak Healthcare Pvt. Ltd. recommends the use of original Mattresses that have been designed & tested specifically for this Manual Birthing Bed. Also ensure that the dimensions & construction of Mattress should minimize gaps where entrapment could occur. The shape and height of Head and Side Railings is optimized to provide patient safety from accidental roll over at the same time facilitating the User to provide easy access for treatment and assistance to the patient.



Mattress impermeability could be affected by needle sticks. Users should be instructed to avoid punctures caused by improper use of needle sticks. Failure to do so could result in cross-infection & patient injury. The mattress should be regularly inspected for punctures, rips, tears or other such damage & replace with suitable mattress if required.



Patients should not be allowed to smoke while on Obstetric Labour Table as it may cause fire hazard and personal injury or equipment damage could occur. Mattress, sheets & pillows generally do not have flame retardant properties.

ENVIRONMENTAL SPECIFICATIONS

Usage, Storage and Transport

Temperature	-10°C to 50°C
Relative Humidity	0% to 95% non condensing
Atmospheric Pressure	800 to 1060 hPa
Altitude	< 2000m

INSTALLATION

1. Unpack all the components carefully.
2. If the packing is drenched by rain, water or other liquids, inform this matter to the operator.
3. Each Manual Birthing Bed is supplied with the following components as per packing list :

Bed fitted with castors, Mattress,

Telescopic Leg End Extension, Hand Support with Grip

and Stainless Steel Tray - 1No.

Rubber Buffer with bush - 4 Nos.

Stainless Steel Head & Foot Board (Product specific) -2 Nos.

Safety Side Railings - Product Specific -1 Pair

Lithotomy Crutches, Foot Rest Upper, Foot Rest Lower - 1 Set

Polymer Moulded Handle - 1 No.



Notify if any damage has occurred during transportation either to the authorized agent or directly to Janak Healthcare Pvt. Ltd.



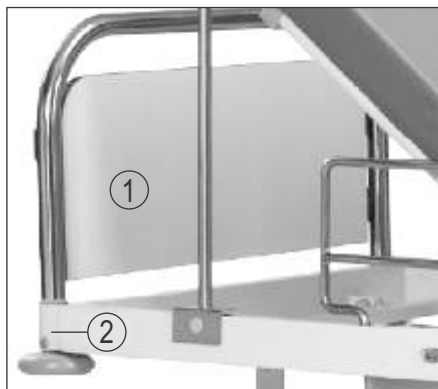
Installation of the Bed should be done only by Janak Healthcare Pvt. Ltd. trained technicians.

Buffers



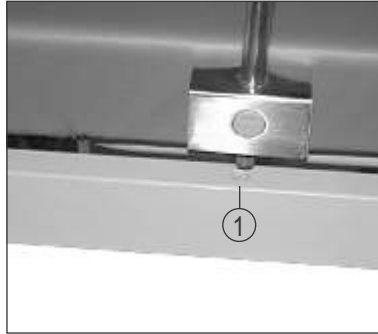
- Fix the rubber buffer in the buffer holder with bush and bolt at all 4 corners as shown above.

Head & Foot Boards



- Insert the head end and leg end bows (1) (fitted with laminated panels) in its brackets (2) at head end and leg end respectively by extending equal forces with both the hands in the bracket as shown above.

I.V. Pole



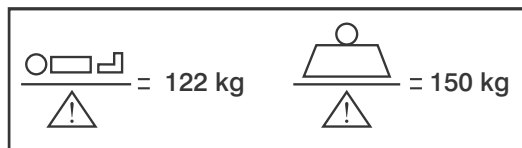
- Insert the Telescopic I. V. Pole in its provisions (1) one on each side on the long side of the main frame of birthing bed at head end as shown above.



Dispose the packing material waste in accordance with the local waste disposal regulations prevailing.

OPERATION

- Before putting the Manual Birthing Bed into use for the first time ensure that all the transport securing devices and packing film are removed.
- Clean and disinfect the Manual Birthing Bed prior to the first time use.
- The Manual Birthing Bed should be used on a flat floor.
- The force required to move the Manual Birthing Bed from one place to another with / without patient, may vary depending on the flooring conditions.
- Check if all the operations are functioning properly.
- This Manual Birthing Bed should be operated only by an authorized and trained person who has knowledge of its operation.



Do not load the Bed more than the Safe Working Load as mentioned above.

Adjusting the Backrest Section:



- The back rest can be lowered & raised as desired with the help of screw mechanism provided at the head end.

Adjusting the Height:



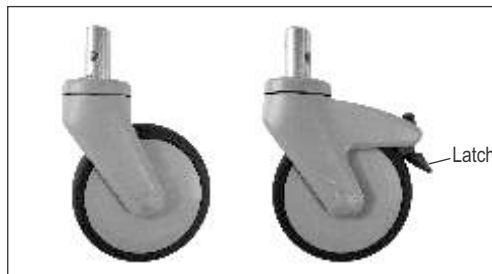
- The height can be lowered & raised as desired with the help of pedal fixed on the hydraulic pump.

Adjusting the Trendelenburg Position:



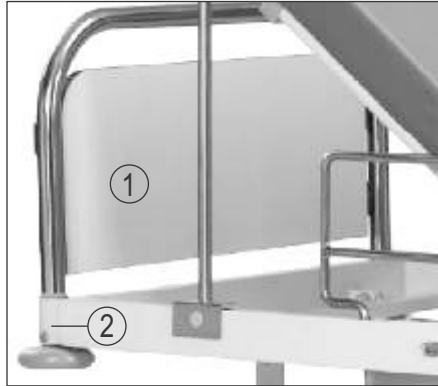
Rotate the handle provided to attain Trendelenburg (Head down) position as shown above.

Castors & Braking Mechanism



The Manual Birthing Bed is equipped with four 125 mm High Grade Synthetic Castors; two diagonally opposite castors are with brakes. To lock the Castors movements press the latch, and to unlock release the latch.

Head & Foot Boards



- The Head and Foot Board are located at the head and foot end of the Bed frame.
- The Head and Foot Board can be removed or attached in a single step by extending equal force with both the hands in the bracket by ensuring the proper matching of the brackets with board holder fitted in the main frame.
- The Head and Foot Boards can be removed for ease of access to the patient from head and foot side.
- Do not hang any heavy items on the Head and Foot Boards.

Safety Side Railings

To use the Safety Side Railings –

- Immobilize the Manual Birthing Bed.
- Fix the railing in the specific slot provided on the main frame.
- Please take care of finger and hand entrapment while operating the Safety Side Railings.






Do not use the Safety Side Railing to lift or move the Manual Birthing Bed.



Although the safety side railings have been designed to reduce the risk of patient injury, the potential exists for patient entrapment, particularly in agitated or disoriented patients, patients who have cognitive disability or have uncontrolled body movement as well as patients who lack the physical strength to extract themselves if they get entrapped.



Users should carefully evaluate the need for safety side rails and periodically check patients in accordance with facility protocols for safe positioning.

-  The Safety Side Railings should always be in raised position when attaining lowest height position or when attaining Trendelenburg / Reverse Trendelenburg tilt positions.
-  To facilitate and allow the gynaec, delivery and post delivery procedures on patients; this Birthing Bed is specially provided with telescopic leg section and lithotomy crutches due to which the safety side rails near leg section are not provided. In absence of safety side railings near leg section, user discretion and supervision is advised for patients using the Birthing Bed for post delivery resting purpose.
-  If these safety measures are not observed, injuries can be caused to hands, knees, fingers, feet, legs or other body parts of patient due to unintended entrapment.

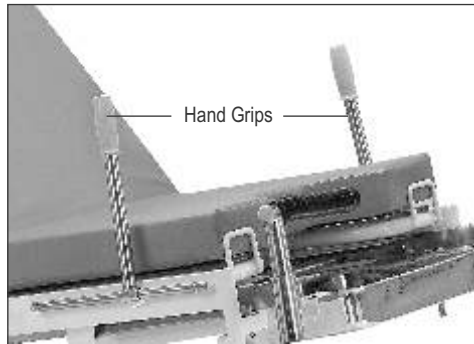
Adjustment of Telescoped Leg End Section



To operate the leg end section,

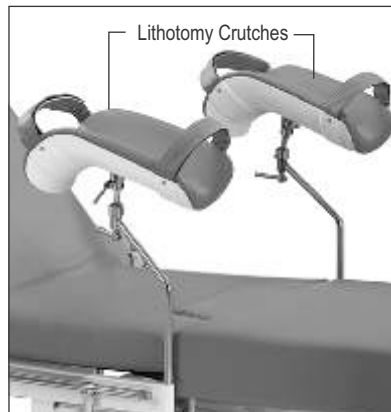
- Remove the Leg End Mattress and place it in a safe place.
- Remove the Leg Bow and place it in a safe place.
- Pull up the Leg End Telescopic frame and slide it inside the main frame.
- For extending the Leg End Telescopic frame, follow the above three steps in reverse order

Hand Grips



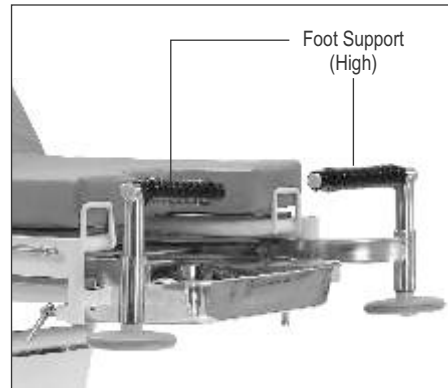
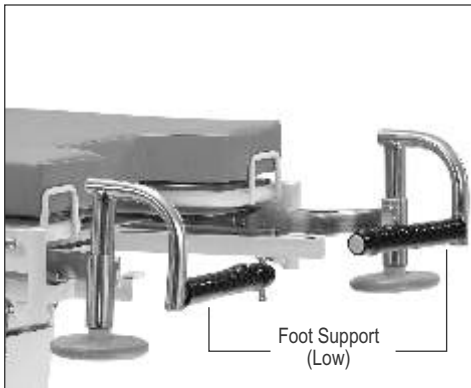
- Hand grips are fitted at both left hand & right hand side of the birthing bed main frame.

Lithotomy Crutches



- Adjustable swiveling crutches come ready fitted to the rod. Insert the lithotomy crutches rod in the provision given on mainframe of the bed. Tighten the rod as shown in picture. Height of lithotomy crutch can be adjusted at any desired level using the handle.

Foot Support



For low and high comfortable chair positions during labour pain, two pairs of foot support are provided. To fix the Low / High Foot Rest, insert them in the location shown above provided in the Leg End Telescopic Section



With due consideration to environmental limitations, materials used to make the device are not affected by contact with any bio chemicals or bio waste. When used as per its intended purpose, all materials used in the product and accessories do not facilitate any breeding or growth of bio contaminants on their own.

MAINTENANCE & CLEANING

Maintenance

Each time before putting the Bed into service the user must check that -

- All the functions are in satisfactory working condition before the Manual Birthing Bed is allotted to the next patient.
- Lubrication of all the mechanical joints / pins / moving parts / tightening of the bolts should be carried out at least once in three months, to avoid unnecessary sound and wear & tear of the Manual Birthing Bed.
- At regular intervals carry out a visual inspection and check for any mechanical damage (e.g. loose /missing rivets, screws, etc.)
- If any damage or malfunction is observed, immediately report this matter to the operator.
- If the Manual Birthing Bed is not in use, it should be stored in a dry and rodent free indoor environment on a flat surface with gradient not more than 5 degrees.
- If the Manual Birthing Bed is not in use for long term, it is necessary to conduct a test to check for functioning and any mechanical damage that may have been caused.
- Depending on the usage, certain moving parts may require replacement due to wear & tear. We recommend timely replacement with original spares for safety and trouble free operation.

Cleaning & Disinfecting

- The Manual Birthing Bed is not suitable for machine wash or steam cleaning.
- Do not use water jet for cleaning.
- The Manual Birthing Bed cannot tolerate the influence of strong solvent, basic or alkaline liquids & caustic agents.
- The cleaning agents must not contain any substances which bring about any change in the structure or adhesive property of the plastic.
- The Manual Birthing Bed should be properly cleaned and disinfected to avoid infection and stains before allotment to a new patient.
- Immobilize the Manual Birthing Bed & remove all the detachable accessories and components before cleaning. Any prolonged contact of urine or acid on mild steel can corrode the surface. Keep the surface dry at all times.
- Wearing suitable protective clothing, clean the surface with a disposable cloth soaked in a neutral detergent and hot water. We recommend use of approved disinfectant and cleaning agents to clean the Manual Birthing Bed. e.g. Bacillocid or other similar agents.
- Start by cleaning the upper sections of the Manual Birthing Bed & work along all horizontal surfaces. Work methodically towards the lower sections of the Bed. Take extra care to clean areas that may trap dust or dirt. All detachable accessories and its component can be cleaned separately.



Do not expose the Manual Birthing Bed to excessive moisture as corrosion may cause personal injury or equipment damage.

Disposal:



Product and its defective parts especially elements made of plastic, steel and rubber material should be disposed off in accordance with the statutory rules and regulations prevailing for such disposal. The user is advised to contact Janak Healthcare Pvt. Ltd. for further assistance.

Routine Inspection Check List: Inspection by the User

(Recommended Frequency: Every new allotment but not later than one month)

Checks	Observation	OK	Not OK	Description of faults
Visual check of the mechanical components				
Main Frame	Damage, Deformation			
Sliding Leg Section	Smooth movement			
Mattress	Damage			
Side Railing	Locking / Un-locking Secure fastening			
Screws and Rivets	Loosened, Missing			
Performance check of mechanical components				
Detachable Lithotomy Crutches	Secure retention			
Detachable Head & Foot Boards	Secure retention			
Castors	Locking, Release (mobilization)			
Safety Side Railings	Locking / Un-locking, Secure fastening			
Sliding Legrest	Engagement			
Accessories	Fastening, Damage, Missing			
Sign	Result of inspection		Date	

Troubleshooting Guide

Problem	Possible Causes	Remedy
Height Function not working	<ul style="list-style-type: none"> • Hydraulic pump failure • Foot pedal loose, damaged 	<ul style="list-style-type: none"> • Repair or replace hydraulic pump • Tighten the foot pedal or replace
Tilt function & Backrest not working	<ul style="list-style-type: none"> • Screw mechanism broken/damaged 	<ul style="list-style-type: none"> • Repair or replace screw mechanism.



WARRANTY & SERVICE

Janak Healthcare Pvt. Ltd. warrants, solely to the end users of this product that for a period specified in the warranty certificate, such product shall perform as per its intended use. The foregoing warranties shall not apply if the Product has been subjected to: (a) physical abuse, misuse, abnormal use, or use not consistent with Janak Healthcare Pvt. Ltd.'s published directions, (b) any modification by anyone other than Janak Healthcare Pvt. Ltd. or third parties designated by Janak Healthcare Pvt. Ltd.; or (c) fraud, tampering, negligence or accidents, depending upon the nature of the products.

Limitation Of Liability: In no event shall Janak Healthcare Pvt. Ltd. be liable or obligated to the end user in any manner for any special, non-compensatory, consequential, indirect, incidental, statutory or punitive damages of any kind, including, without limitation, for injury or loss of life, lost profits, lost sales, lost revenue, loss of any software or data, or loss of use of any hardware, software or data, regardless of the form of action, whether in contract, tort, negligence, strict product liability, or otherwise, even if Janak Healthcare Pvt. Ltd. has been informed of or is aware of the possibility of any such damages in advance. Janak Healthcare Pvt. Ltd.'s total aggregate liability under this agreement and in relation to anything which Janak Healthcare Pvt. Ltd. has done or not done in connection with this agreement shall be limited to the price of the products purchased and paid for by the end user during the period in which such liability arises. The limitations set forth above shall be deemed to apply to the maximum extent permitted by applicable law and notwithstanding the failure of the essential purpose of any limited remedies.

In order to maintain functional safety and right to claim under the warranty only original replacements parts may be used. For ordering replacement parts, customer service request and further question, please contact our technical support department.

MANUFACTURER'S ADDRESS

Corporate Office:

Janak Healthcare Pvt. Ltd.

Unit No. 12, 1st Floor, Kalpataru Point, Opp. Cinemax Theatre, Sion Circle, Sion (E), Mumbai 400022.

Tel: +91 22 4915 3000 | Fax: +91 22 4915 3100

www.janakhealthcare.com

Registered Office:

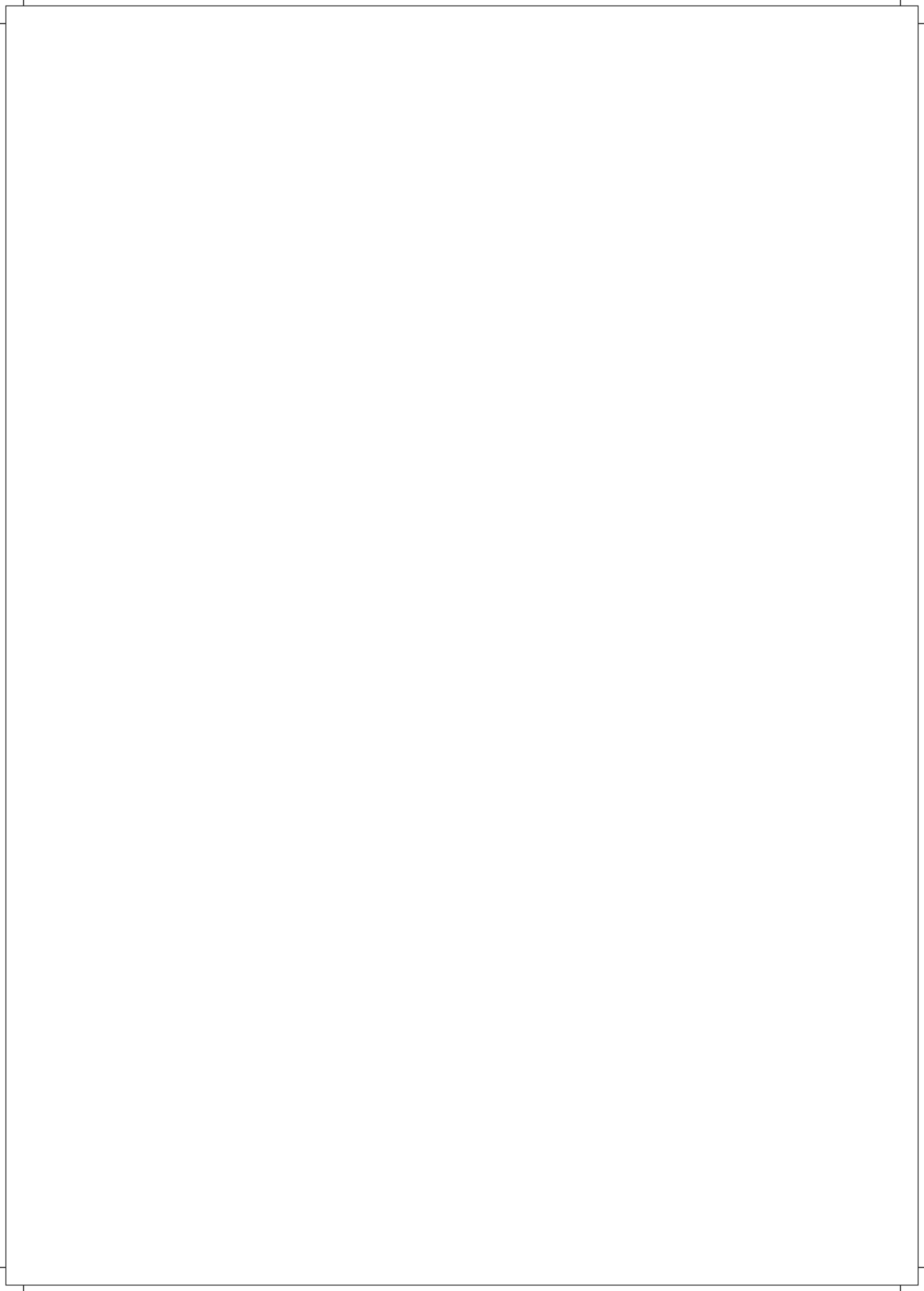
Janak Healthcare Pvt. Ltd.

Janak House, Opp. Indian Oil Corp. Depot, Sheikh Misry Road, Wadala (E), Mumbai 400037.

Tel: +91 22 2412 0171/2413 0407 | Fax: +91 22 2413 9870

Toll Free No.: 1800 22 8020 | Email: technicalsupport@janakhealthcare.com







JANAK
HEALTHCARE

JANAK HEALTHCARE PVT. LTD.

Unit No. 12, 1st Floor, Kalpataru Point, Opp. Cinemax Theatre, Sion Circle, Sion (E),
Mumbai 400022. Tel: +91 22 4915 3000 | Fax: +91 22 4915 3100
www.janakhealthcare.com